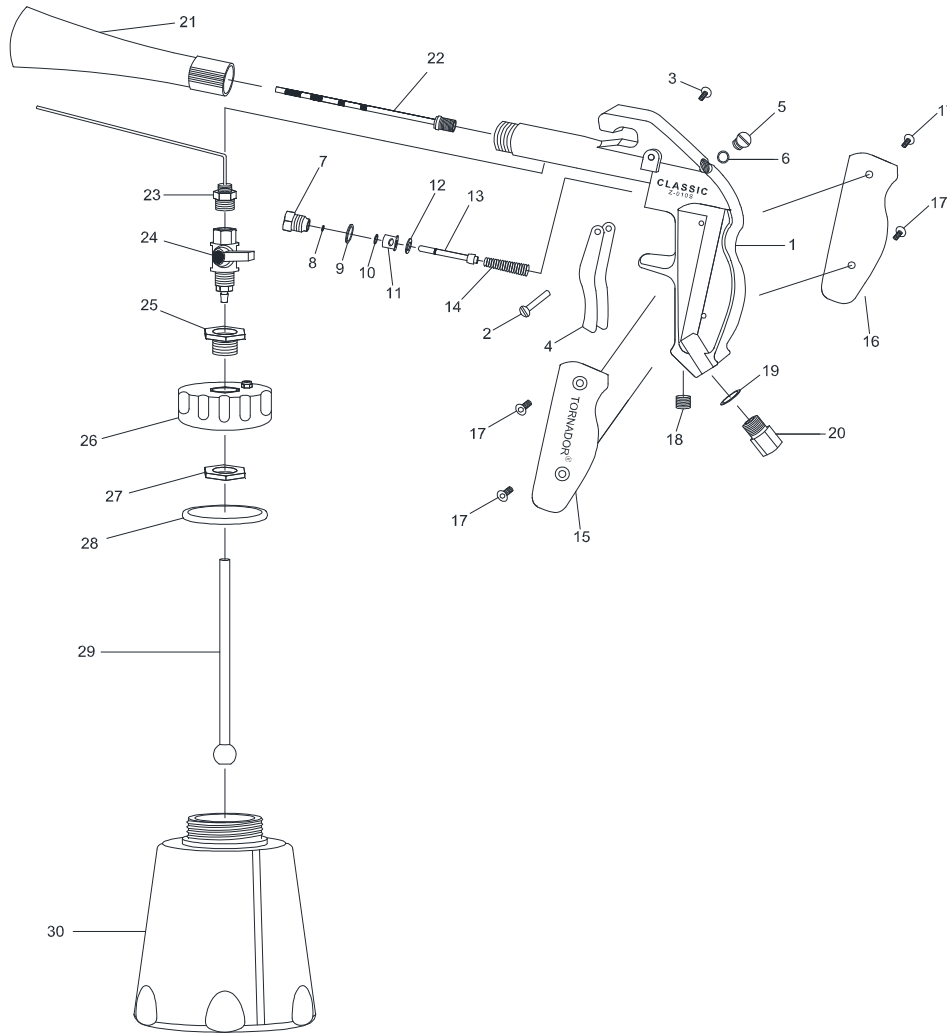




Z-010S Tornador Gun (Cleaning Gun)



Ref. No.	Part No.	Description	Q'ty Tool	Ref. No.	Part No.	Description	Q'ty Tool
1	SPZ010S001	Housing	1	17	SPZ020S004	Screw	4
2	SPZ020S007	Pin	1	18	SPZ020S005	Screw	1
3	SPZ010008A	Screw	1	19	SPZ020S006	O-Ring (9.5x1.5)	1
4	SPZ010009B	Trigger (Stainless)	1	20	SPZ010024A	Air Inlet (1/4"PF)	1
5	SPZ010010	Screw	1	21	SPZ010S004	Nozzle (Matt Finish)	1
6	SPZ010026	O-Ring (4.47x1.78)	1	22	SPZ010005	Weighted Tube Ass'y	1
7	SPZ010011	Screw	1	23	SPZ020009A	Inner Tube Ass'y	1
8	SPZ010031	O-Ring (2x1)	1	24	SPZ010017A	Air Reverse Switch Ass'y	1
9	SPZ010028	O-Ring (9x2)	1	25	SPZ010018	Screw	1
10	SPZ010027	O-Ring (3.5x1.5)	1	26	SPZ010019C	Cap (with hole) and Valve	1
11	SPZ010012	Bushing	1	26	SPZ010019A	Cap (closed)	
12	SPZ010013	Gasket	1	27	SPZ010021	Nut	1
13	SPZ010014	Valve Stem	1	28	SPZ020014A	Gasket (O-Ring) f. valve type	1
14	SPZ010015A	Spring	1	29	SPZ010022	Tube Ass'y	1
15	SPZ010S002	Left Side Cap (Red)	1	30	SPZ010023A	Cup With Window	1
16	SPZ010S003	Right Side Cap (Red)	1				